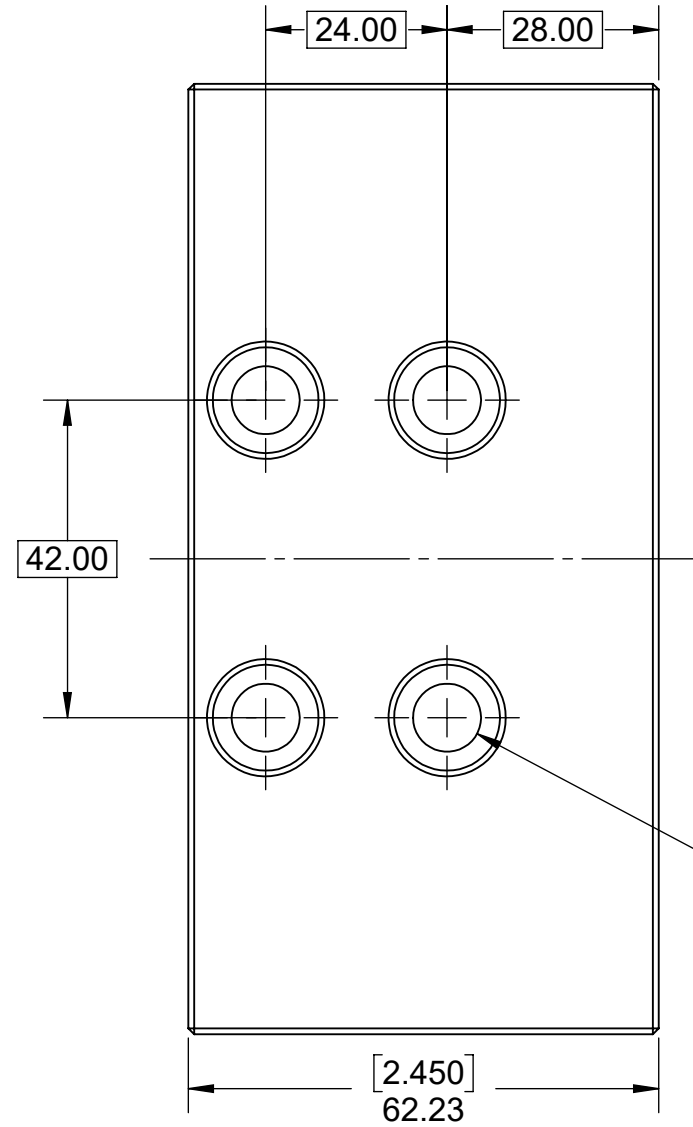
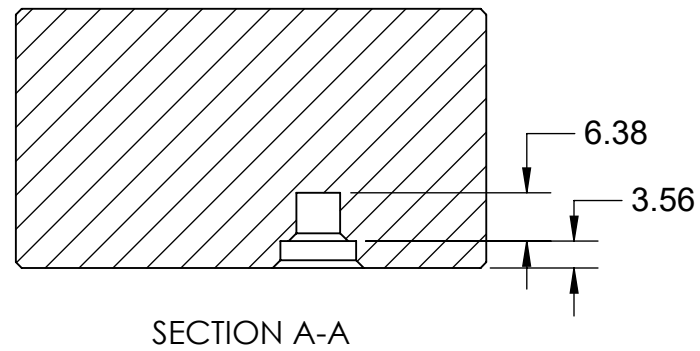
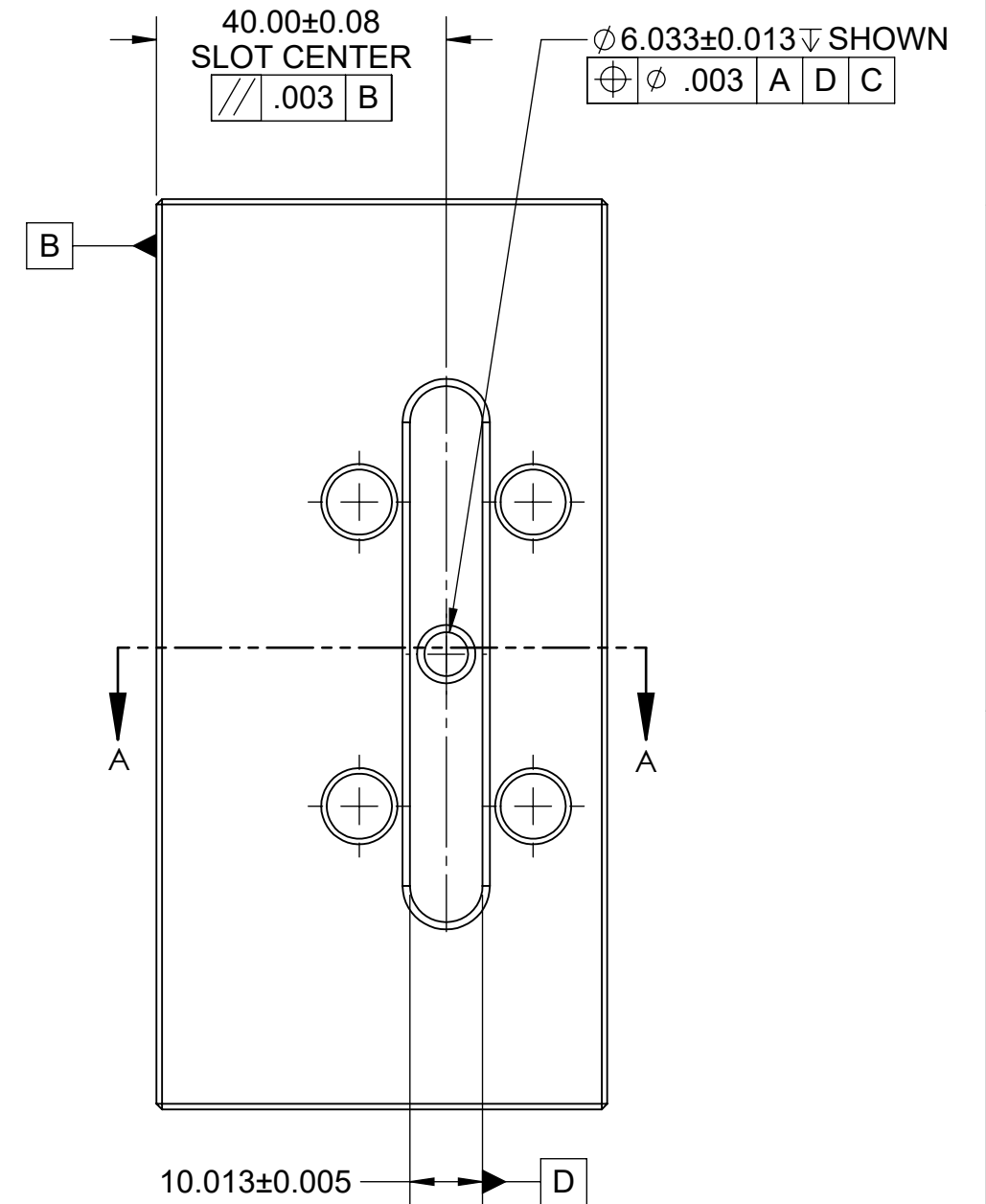
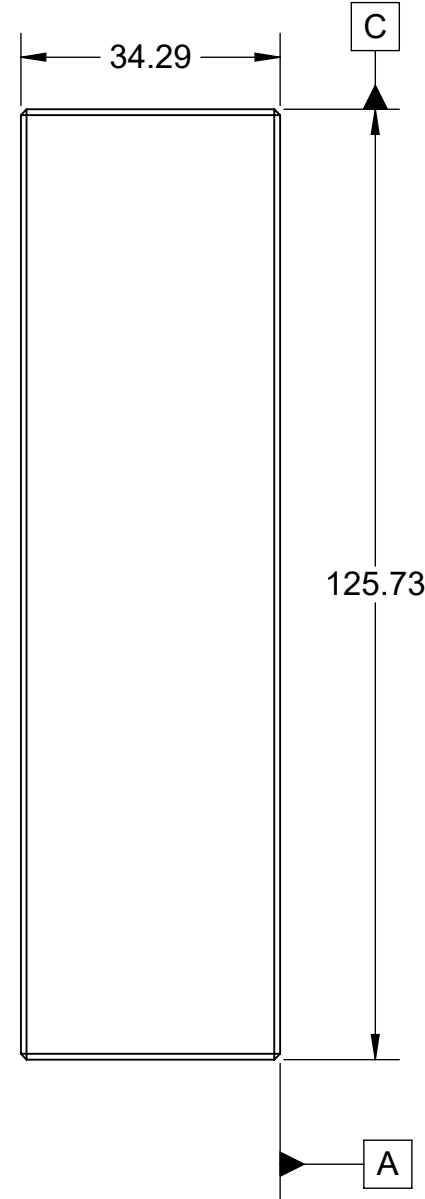



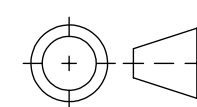
MATERIAL:
VAJ52X: 6061 ALUMINUM JAW
VSJ52X: 1018 STEEL JAW
SOLD AS SET OF TWO

VAJ52X VSJ52X



4x $\phi 9.0$ THRU ALL
 $\phi 14.0 \nabla 28.0$
 $\phi .010$ A B C



MILLIMETER		TOLERANCES UNLESS OTHERWISE SPECIFIED			
DRAWN IN ACCORDANCE WITH ASME Y14.5-2009		x ± 0.1 .xx ± 0.01 .x ± 0.05 .xxx ± 0.005 ANGULAR ± 0.5°			
WWW.5THAXIS.COM		THIRD ANGLE PROJECTION		DESCRIPTION SOFT JAW FOR V562X / V510X	
7140 ENGINEER ROAD SAN DIEGO, CA 92111				SIZE B	PART NO. VAJ52X/VSJ52X
P (858) 505-0432 F (858) 505-9344				REV A	
		DO NOT SCALE DRAWING		SCALE 1:1	WEIGHT:
				SHEET 1 OF 1	